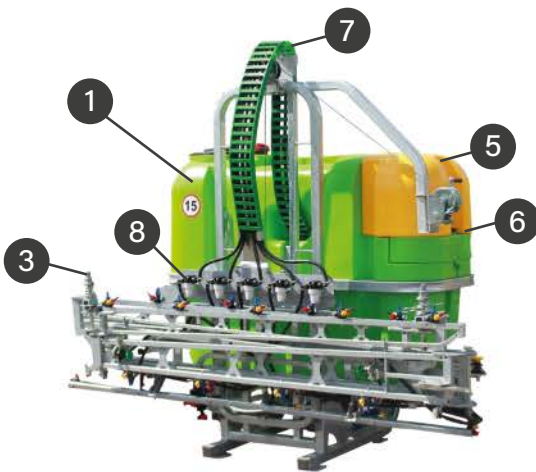


TOLMET

Agricultural and Municipal Sprayers

Ten Reasons to Buy Tolmet

High quality budget sprayers with professional features
Tank sizes 200 to 1200 litres. Booms 6m to 15m.
Comprehensive range of options.



- 1 High quality plastic tank moulding polyethylene
- 2 Heavy duty galvanised chassis with hot shaped metal and buttresses in place of cross-strut welding make the architecture stronger and lighter
- 3 Robust booms galvanised with over 40% more steel than alternative budget sprayers and resilient break back protect
- 4 High quality regulators with robust controls and pressure balancing dials. All models 600 and up have electric on/off manifolds.
- 5 Handwash tank as standard
- 6 Winch mounted in easy to reach position
- 7 Pipe guides on all 800, 1000 and 1200 litre models
- 8 Extra filters positioned pre-boom
- 9 2 chamber Tolveri 120 l/min pumps have 20% greater output than alternative budget sprayers. 800 litre models and up have 3 chamber 140 l/min pumps
- 10 Full range of options and rapid parts response service available 24/7



TOLMET SPRAYERS PRICES NET OF VAT

TANK	BOOM	PRICE
200	6	£2445
200	8	£2525
300	6	£2595
300	8	£2675
400	6	£2745
400	8	£2825

600	10	£3760
600	12	£3840
800	10	£4200
800	12	£4280

1000	10	£4700
1000	12	£4800
1000	15	£6050
1200	12	£4995
1200	15	£6245

ALL SPRAYER BOOMS AND CHASSIS ARE GALVANISED

- All sprayers come with handwash tank
- 15m boom has hydraulic boom height control
- 800 to 1200 versions have 3 diaphragm pump
- Sizes 600 litres and up have electric shut-off
- Sizes 800 and up have clean water flush system
- Sizes 800 and up have extra pre-boom filters
- All regulators have pressure balancing taps
- 1000 litre with 12m boom comes with tiling boom
- All sprayers have PTO supplied

PROMOTIONAL DISCOUNT ON 1000 AND 1200 UNITS WITH FULL ELECTRIC CONTROL AND HOPPER

£500 OFF (NET OF VAT)



OPTION	RETAIL
CLEAN WATER FLUSH SYSTEM FOR TANK 600	£245
TOLMET CHEMICAL INDUCTION HOPPER WITH FAST THROUGHPUT ARAG VENTURI	£800
SELF-FILL KIT WITH FILTER AND 6M HOSE (PLUMBED INTO SPRAYER)	£375
HAND-LANCE WITH 10M HOSE (PLUMBED TO SPRAYER)	£235
HAND-LANCE WITH 10 M HOSE AND HOSE ROLLER (PLUMBED TO SPRAYER)	£395
SEPARATE HAND-LANCE (NOT PLUMBED)	£73

HYDRAULIC UP/DOWN BOOM HEIGHT CONTROL MOUNTED IN LIEU OF WINCH	£595
SELF-LEVELING BOOM HYDRAULIC TILT CONTROL (MUST ALSO ORDER HYDRAULIC UP/DOWN)	£745
REPLACEMENT BOOM 6M (METALWORK ONLY) DRESSED WITH HOSES AND NOZZ ADD £120	£380
REPLACEMENT BOOM 8M (METALWORK ONLY) DRESSED WITH HOSES AND NOZZ ADD £160	£455
REPLACEMENT BOOM 10M (METALWORK ONLY) DRESSED WITH HOSES AND NOZZ ADD £200	£520
REPLACEMENT BOOM 12M (METALWORK ONLY) DRESSED WITH HOSES AND NOZZ ADD £200	£620
REPLACEMENT BOOM 15M (METALWORK ONLY AND WITH HYDRAULIC HEIGHT CONTROL)	£1250

TRIPLE NOZZLES 6 M BOOM IN LIEU OF SINGLES (UPGRADE)	£90
TRIPLE NOZZLES 10 M BOOM IN LIEU OF SINGLES (UPGRADE)	£150
TRIPLE NOZZLES 12 M BOOM IN LIEU OF SINGLES (UPGRADE)	£180
TRIPLE NOZZLES 15 M BOOM IN LIEU OF SINGLES (UPGRADE)	£200
SINGLE NOZZLE T-SHAPE (NOZZLE BODY COMPLETE WITH NOZZLES)	£9
TRIPLE NOZZLE T-SHAPE (NOZZLE BODY COMPLETE WITH NOZZLES)	£13
SINGLE NOZZLE L-SHAPE (NOZZLE BODY COMPLETE WITH NOZZLES)	£9
SINGLE NOZZLE L-SHAPE (NOZZLE BODY COMPLETE WITH NOZZLES)	£13

REPLACEMENT TANK 200 LITRE (WITH LID AND NET BASKET)	£295
REPLACEMENT TANK 300 LITRE (WITH LID AND NET BASKET)	£360
REPLACEMENT TANK 400 LITRE (WITH LID AND NET BASKET)	£425
REPLACEMENT TANK 600 LITRE (WITH LID AND NET BASKET)	£495
REPLACEMENT TANK 800 LITRE (WITH LID AND NET BASKET)	£585
REPLACEMENT TANK 1000 LITRE (WITH LID AND NET BASKET)	£685
REPLACEMENT TANK 1200 LITRE (WITH LID AND NET BASKET)	£795

REPLACEMENT GALVANISED CHASSIS 200	£295
REPLACEMENT GALVANISED CHASSIS 300	£350
REPLACEMENT GALVANISED CHASSIS 400	£420
REPLACEMENT GALVANISED CHASSIS 600	£550
REPLACEMENT GALVANISED CHASSIS 800	£715
REPLACEMENT GALVANISED CHASSIS 1000 AND 1200	£890

REPLACEMENT PUMP 120 L/MIN TOLVERI	£295
REPLACEMENT 3 CHAMBER PUMP 140L/MIN TOLVERI	£530
PTO TO DRIVE PUMP	£78

FULL ELECTRIC CONTROL 5 SECTION WITH INDIVIDUAL SOLENOID CONTROL (UPGRADE)	£1350
FULL ELECTRIC CONTROL 5 SECTION WITH INDIVIDUAL SOLENOID CONTROL (SPARE)	£1495
FULL ELECTRIC CONTROL 3 SECTION WITH INDIVIDUAL SOLENOID CONTROL (UPGRADE)	£995
FULL ELECTRIC CONTROL 3 SECTION WITH INDIVIDUAL SOLENOID CONTROL (SPARE)	£1350
UPGRADE FROM STANDARD REGULATOR TO ELECTRIC SHUT-OFF VERSION 3+1	£397
SPARE MANIFOLD WITH PRESSURE CONTROL TAPS 3+1	£195
SPARE REGULATOR WITH ELECTRIC SHUT-OFF 3+1	£595
SPARE REGULATOR SECTION	£49
REPLACEMENT MANOMETER	£25

Prices from April 1st 2024